

Tracoe Comfort Tracheostomy tube

Product Description

Tracoe Comfort tracheostomy tubes are handmade long-lasting tubes and are made of transparent, thermo-sensitive plastic. They allow tracheotomized patients a comfortable wearing. The discreet appearance and the light weight based on the used materials of the tracheostomy tubes also contribute to this. All tube types are available in many different sizes and designs. This variety makes it easier to choose the right tracheostomy tube for the patient's anatomy.



General Information

Product line	Comfort
Legal manufacturer	Tracoe Medical GmbH Reichelsheimer Str. 1/3 55268 Nieder-Olm, Germany
Country of origin	Germany
Handling	
Shelf life	5 years, from date of production
Maximum Useful Life	29 days, up to 6 months

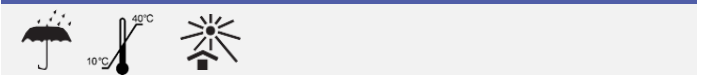
Packaging

Packaging unit	1 piece
Dimensions (W x H x L)	80 x 39 x 144 mm
Material outer packaging:	Cardboard box
Material primary packaging:	Polysnap-Bag

Material Specifications

Material Outer cannula	Polyvinyl chloride
Material Neck Flange	PVC
Material Speaking Valve*	PVC, Silver
Biocompatibility	EN ISO 10993-1

Storage



Certification

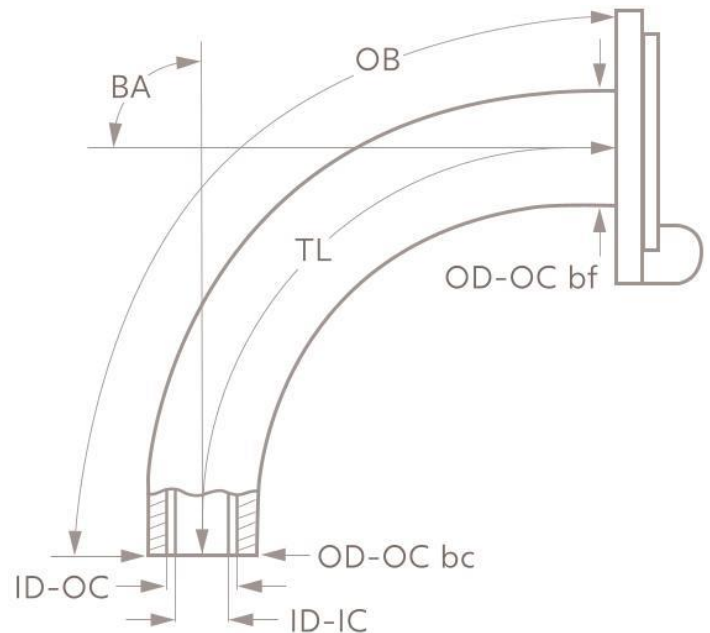
Product classification acc. MDR	IIb
CE Marking	
GMDN	38792
Quality system certified to	EN ISO 13485
FDA registration	K781729/D020883

Product Range

Size	ID-IC	OD-OC bc	OD-OC bf	ID-IC	TL	OB	BA
	mm	mm	mm	mm	mm	mm	°
05	5,0	6,7	8,7	4,0	52	57	90
06	6,0	7,6	10,0	4,8	54	60	90
07	7,0	8,8	10,5	5,8	57	65	90
08	8,0	10,0	11,3	6,8	61	70	90
09	9,0	11,4	12,6	7,6	65	75	90
10	10,0	12,4	13,7	8,7	74	85	90
11	11,0	13,1	15,0	9,7	76	87	90
12	12,0	14,2	16,2	10,8	78	90	90
13	13,0	15,4	17,2	11,8	87	100	90
14	14,0	16,6	18,2	12,6	91	105	90

Legend

- ID-IC** Inside diameter at bottom of inner cannula
- OD-OC bc** Outside diameter at bottom of outer cannula
- OD-OC bf** Outside diameter of outer cannula behind the flange
- TL** Length along centre line from start of neck flange to bottom of tube
- OB** Length along outer bend from start of neck flange to bottom of tube
- BA** Bending angle
- CD** Cuff diameter



REF no.	Product name	Sizes	Scope of supply
REF 101	Tracoe Comfort Fen	05-12	Neck strap
REF 102	Tracoe Comfort Non-Fen	05-12	1 inner cannula with low profile Neck strap
REF 102-D	Tracoe Comfort Non-Fen	05-12	2 inner cannulas with low profile Neck strap
REF 103	Tracoe Comfort Fen Type A	05-12	1 inner cannula with speaking valve Type A Fen* 1 inner cannula with low profile Neck strap
REF 103-A	Tracoe Comfort Fen Type A	05-12	1 inner cannula with speaking valve Type A Fen* 1 inner cannula with low profile 1 inner cannula with 15 mm connector Neck strap
REF 103-A-O	Tracoe Comfort Fen Type A	05-12	1 inner cannula with speaking valve Type A* and O2 port Fen 1 inner cannula with low profile 1 inner cannula with 15 mm connector Neck strap
REF 103-O	Tracoe Comfort Fen Type A	05-12	1 inner cannula with speaking valve Type A* and O2 port Fen 1 inner cannula with low profile Neck strap
REF 104	Tracoe Comfort XL Fen Type A	05-12	1 inner cannula with speaking valve Type A* Fen 1 inner cannula with low profile Neck strap
REF 104-A	Tracoe Comfort Fen Type B	05-12	1 inner cannula with speaking valve Type B* Fen 1 inner cannula with low profile 1 inner cannula with 15 mm connector Neck strap
REF 104-A-O	Tracoe Comfort Fen Type B	05-12	1 inner cannula with speaking valve Type B* and O2 port Fen 1 inner cannula with low profile 1 inner cannula with 15 mm connector Neck strap
REF 105-1*	Tracoe Comfort Non-Fen	05-12	1 inner cannula with 15 mm connector Neck strap
REF 105-1D	Tracoe Comfort Non-Fen	05-12	2 inner cannulas with 15 mm connector Neck strap
REF 105-2	Tracoe Comfort Non-Fen	05-12	1 inner cannula with 15 mm connector Neck strap
REF 107	Tracoe Comfort Fen	05-12	1 inner cannula with 15 mm connector 1 inner cannula with 22 mm connector Fen Neck strap
REF 108	Tracoe Comfort Fen Type B	05-12	1 inner cannula with speaking valve Type B* Fen 1 inner cannula with 22 mm connector Fen Neck strap
REF 114	Tracoe Comfort Fen Type B	05-12	1 inner cannula with speaking valve Type B* Fen 1 inner cannula with 15 mm connector Neck strap
REF 115-2	Tracoe Comfort Fen	05-14	1 inner cannula with 15 mm connector 1 inner cannula with 15 mm connector Fen Neck strap

*-1 means looking hook at the top



Tracoe Medical GmbH,
Reichelsheimer Str. 1 / 3,
55268 Nieder-Olm
Germany



Breathing-Speaking-Living

Atos Medical AB
Hyllie Boulevard 17
215 32 Malmö
Sweden
www.atosmedical.com